

BRADEN[®]

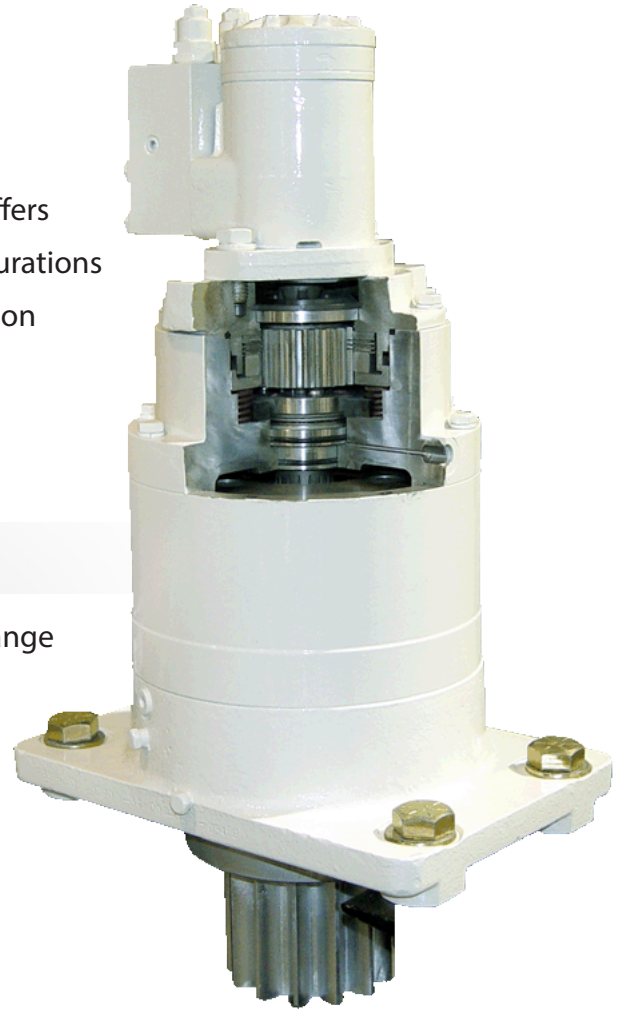
A PACCAR COMPANY

Planetary Swing Drive

The compact and durable Braden SD Planetary Swing Drive offers superior performance in a wide range of cost-effective configurations that provide turnkey power solutions for utility and construction applications.

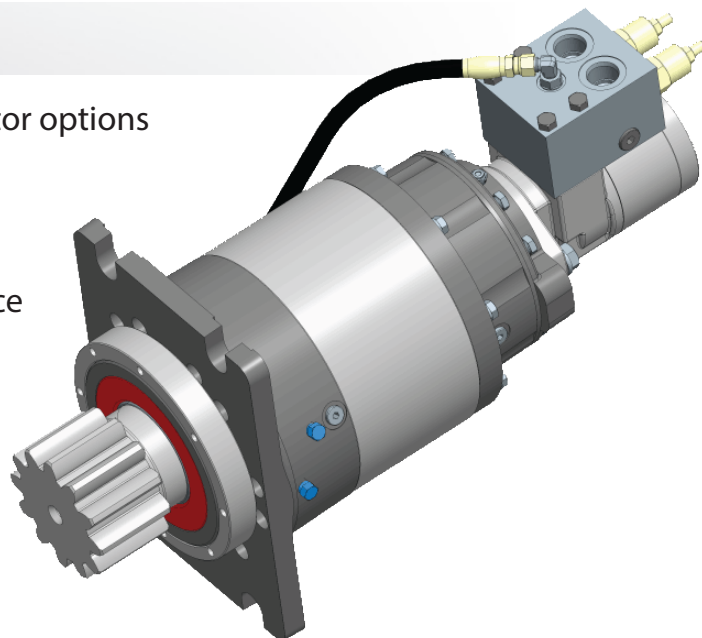
Features

- 20,000–110,000 lb-in. (2,260–12,428 N·m output torque range)
- Standard SAE motor mounting flanges/input shafts
- Static/dynamic brake options
- Heat-treated alloy steel ring gear
- High-strength pinion
- Heavy-duty bearing design
- Optional eccentric ring for gear backlash adjustment
- Optional LoadSense system (select models)



Benefits

- Readily available torque and motor options
- Robust side-load capacity
- Low-decibel operation
- Long-lasting, reliable performance
- Designed for minimal backlash



Planetary Swing Drive

Performance

Model	Intermittent Output Torque lb-in. (N-m)	Continuous Output Torque lb-in. (N-m)
SD20B	20,00 (2,260)	10,000 (1,130)
SD40C	40,000 (4,519)	20,000 (2,260)
SD66A	66,200 (7,480)	33,100 (3,740)
SD80B	80,850 (9,135)	40,425 (4,567)
SD110A	110,000 (12,428)	55,000 (6,214)

Dimensions (Model SD110A Shown)

